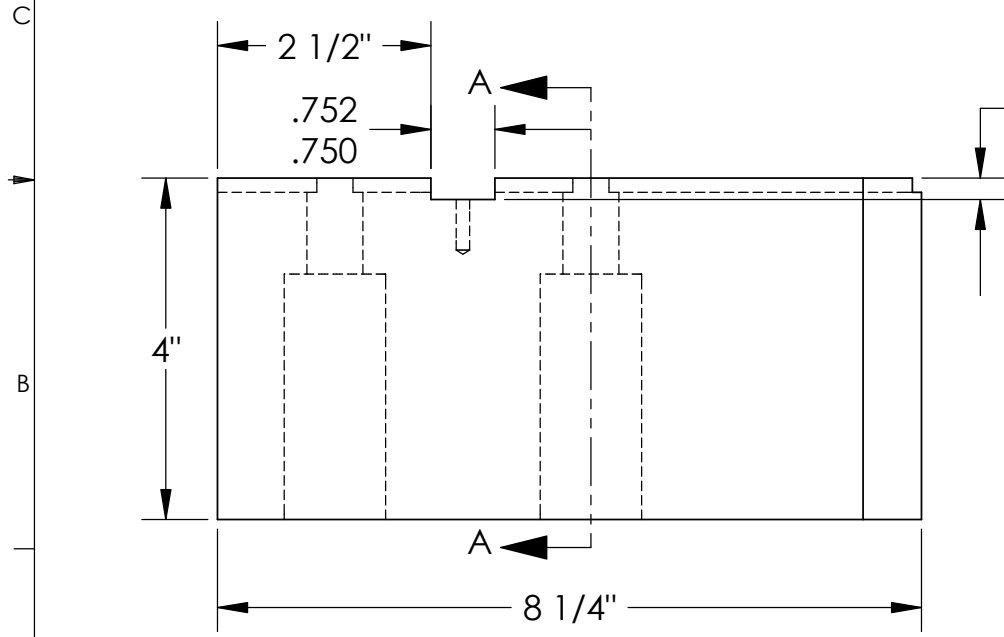
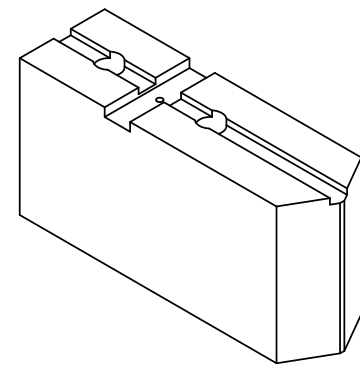
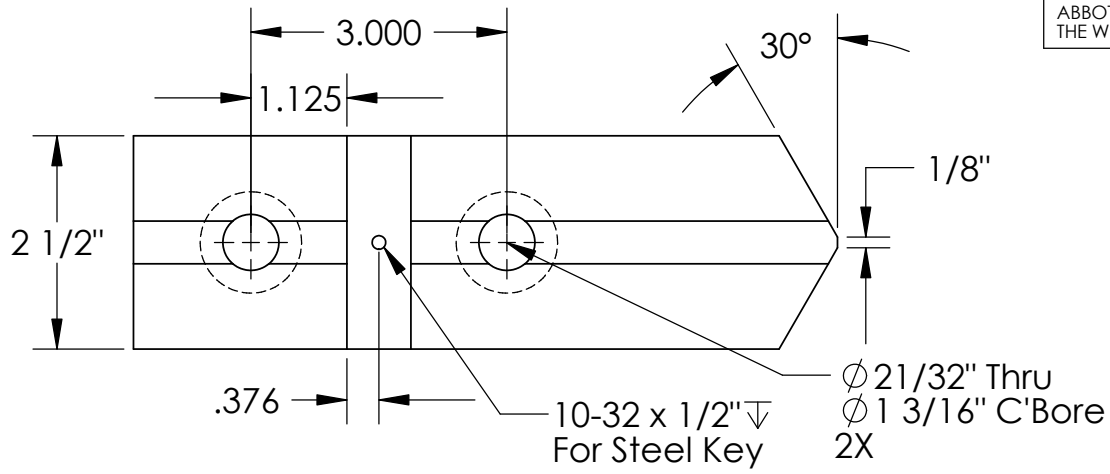
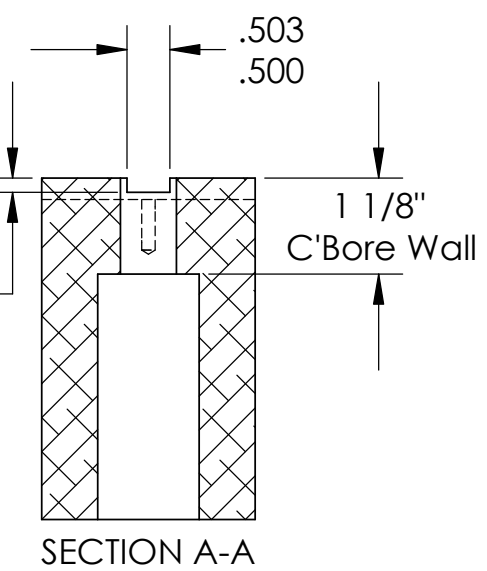


THE INFORMATION CONTAINED IN THIS DRAWING IS THE SOLE PROPERTY OF ABBOTT WORKHOLDING PRODUCTS. ANY REPRODUCTION IN PART OR WHOLE WITHOUT THE WRITTEN PERMISSION OF ABBOTT WORKHOLDING PRODUCTS IS PROHIBITED.



.250±.010  
Cross Slot Depth

.166±.010  
Slot Depth



UNLESS OTHERWISE SPECIFIED  
DIMENSIONS ARE IN INCHES  
TOLERANCES ARE:

FRACTIONS	DECIMALS	ANGLES
±1/32	.XX±.015	±5°
	.XXX±.005	
	.XXXX±.0005	

DRAWN TBJ	DATE 02/18/09
MATERIAL 6061	WEIGHT(POUNDS) 7
STYLE A	DISPOSITION Released

### Abbott Workholding Products

430 McCall Road  
Manhattan, KS 66502  
785-776-8555  
785-587-0004 Fax  
800-528-6459  
www.abbottworkholding.com  
engineering@abbottworkholding.com

CUSTOMER: Stock	SIZE A	Part Name TG21MDA1	REV. --
--------------------	-----------	-----------------------	------------