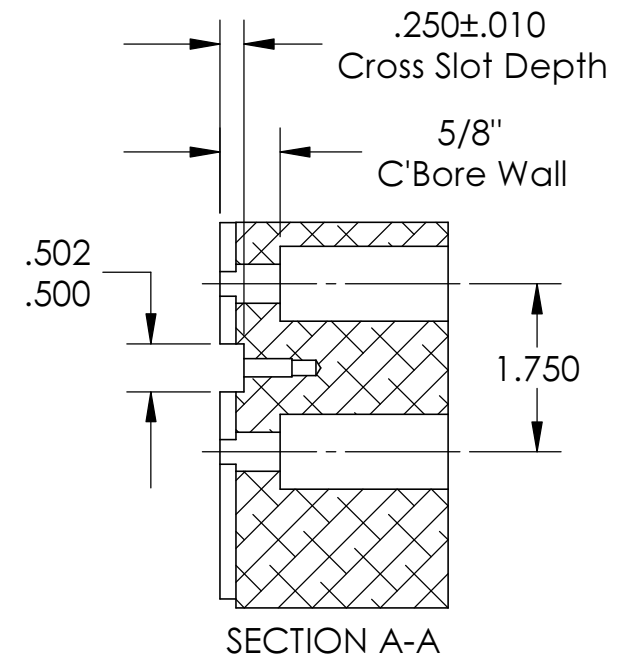
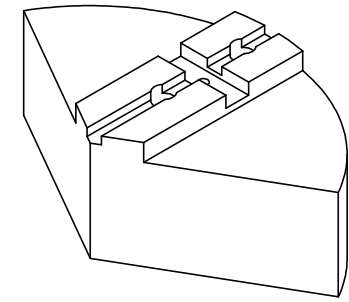
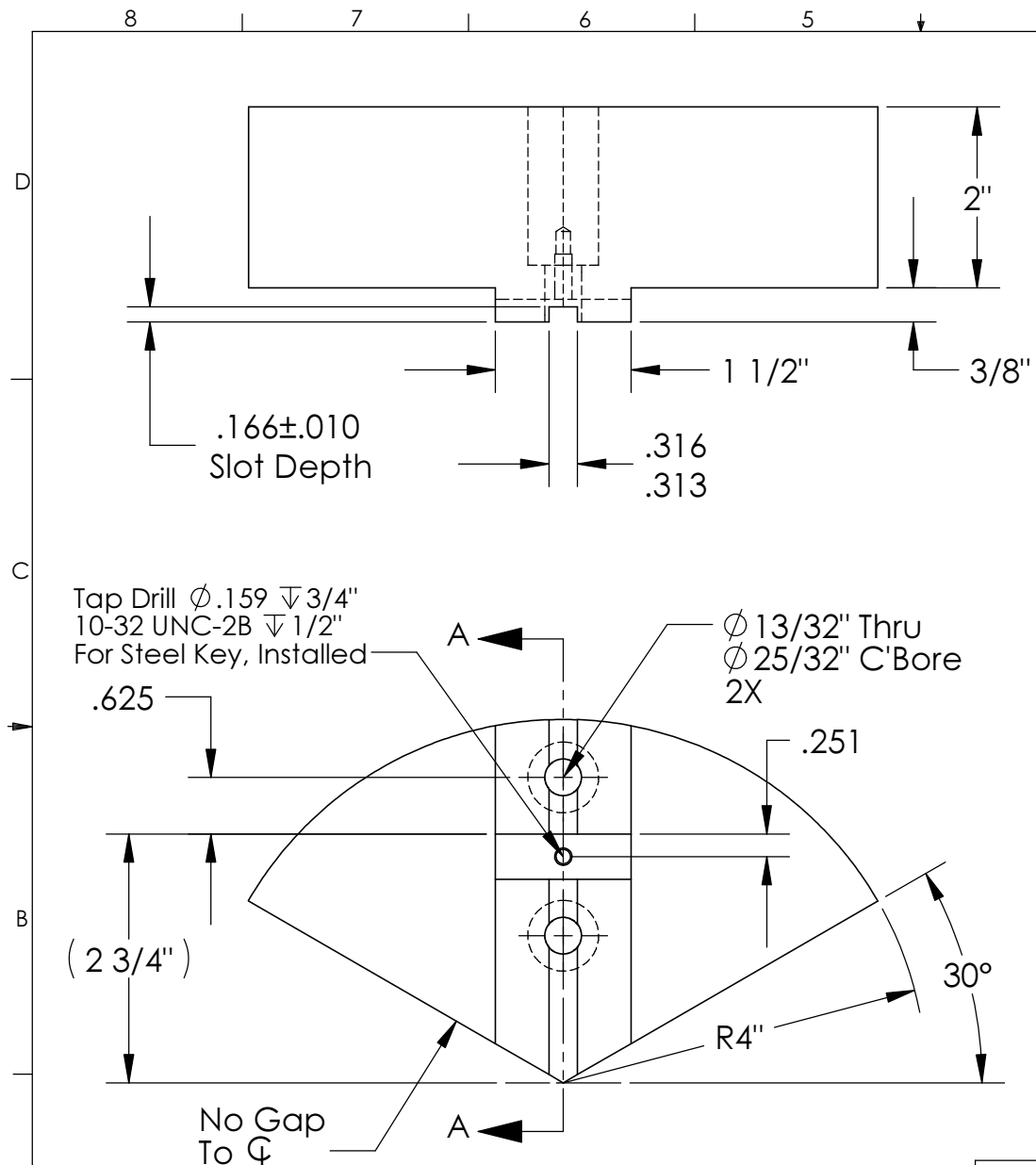


THE INFORMATION CONTAINED IN THIS DRAWING IS THE SOLE PROPERTY OF ABBOTT WORKHOLDING PRODUCTS. ANY REPRODUCTION IN PART OR WHOLE WITHOUT THE WRITTEN PERMISSION OF ABBOTT WORKHOLDING PRODUCTS IS PROHIBITED.



UNLESS OTHERWISE SPECIFIED DIMENSIONS ARE IN INCHES
TOLERANCES ARE:
FRACTIONS DECIMALS ANGLES
 $\pm 1/32$.XX $\pm .015$ $\pm 5^\circ$
.XXX $\pm .005$
.XXXX $\pm .0005$

| | |
|------------------|-------------------------|
| DRAWN ZGG | DATE 05/04/16 |
| MATERIAL 6061 | WEIGHT(POUNDS) 3.3 |
| STYLE D | DISPOSITION Released |

Abbott Workholding Products
430 McCall Road
Manhattan, KS 66502
785-776-8555
785-587-0004 Fax
800-528-6459
www.abbottworkholding.com
engineering@abbottworkholding.com

| | | | |
|--------------------|-----------|---------------------|-----------|
| CUSTOMER: Stock | SIZE A | Part Name TG8MDP | REV. A |
|--------------------|-----------|---------------------|-----------|